

## LLMR-NNP-1M

1M N-Plug (Male) to N-Plug (Male) LLMR200  
Low Loss RF Antenna Cable

EAN Codes: 4712757151268

## LLMR-NNP-2M

2M N-Plug (Male) to N-Plug (Male) LLMR200  
Low Loss RF Antenna Cable

EAN Codes: 4712757151275



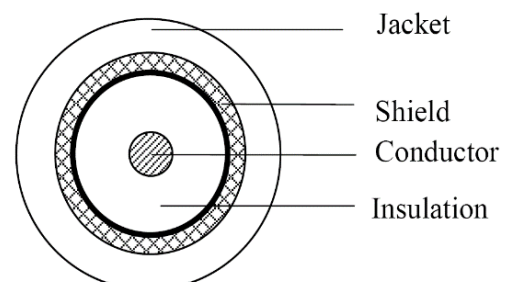
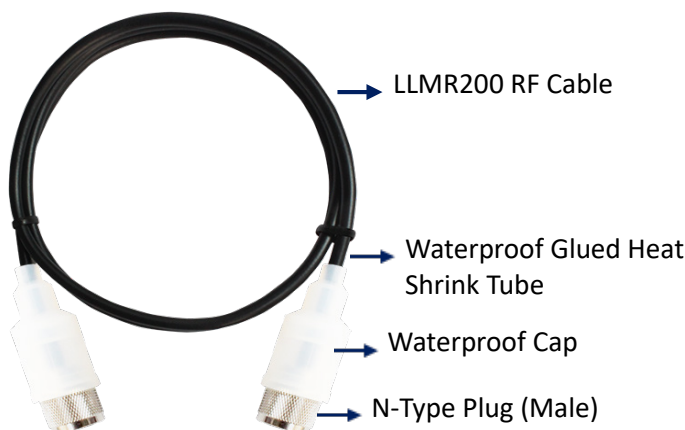
### Introduction

CERIO N-Plug (Male) to N-Plug (Male) LLMR200 Low Loss RF Antenna Cable provides low loss of attenuation with antennas. The cable supports 11b/g/n/ax 2.4GHz and 11a/ac/ax 5GHz band applications. By using low-loss RF cables, you can extend the reach of your high-power antenna with minimal power loss to achieve maximum efficiency. The connector at both ends is attached with a waterproof cap, which can strengthen the Water Resistant measures between the connectors of the two ends when the outdoor antenna and equipment are connected. It effectively enhances the durability of the antenna and the wireless equipment for outdoor applications. The LLMR Series Antenna Cable provides Water Resistant protection for the connectors and making the installation more professional and simpler.

### Highlight Features

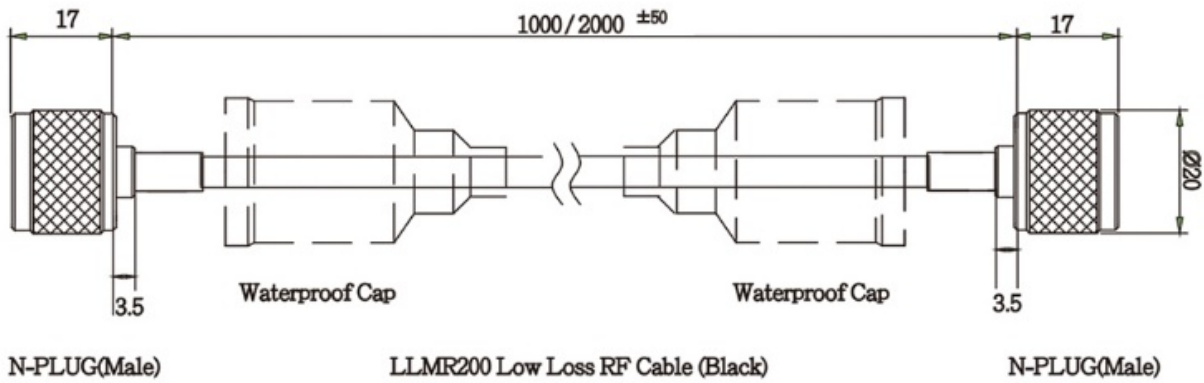
- Length : 1 Meter (100CM) LLMR-NNP-1M  
Length : 2 Meter (200CM) LLMR-NNP-2M
- 0 ~ 6 Ghz Frequency range
- Cable Low Loss at
  - @ 2.4GHz : Total Loss 0.515 dB/M
  - @ 5.2GHz : Total Loss 0.888 dB/M
  - @ 5.5GHz : Total Loss 0.928dB/M
  - @ 5.8GHz : Total Loss 0.968 dB/M

### Hardware Overview & Dimension



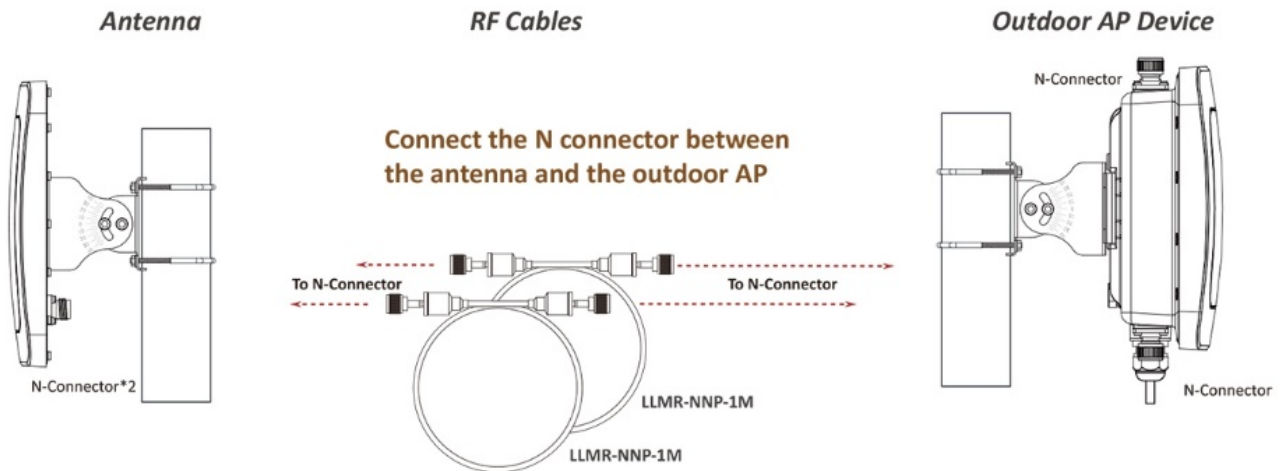
LLMR-NNP-1M / LLMR-NNP-2M

N-Plug(Male)to N-Plug(Male)LLMR200 Low Loss RF Antenna Cable

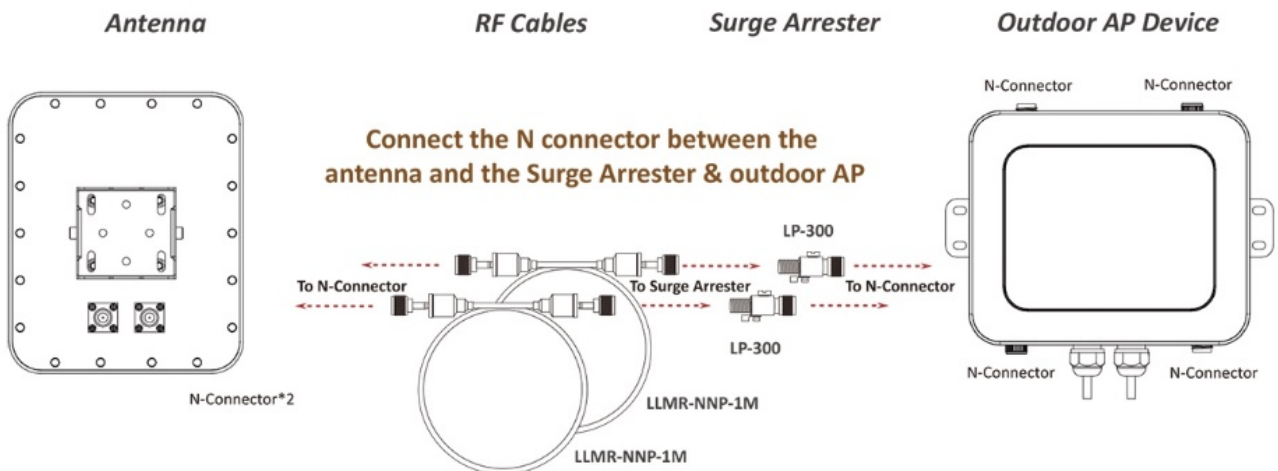


### Product Application

RF cable connect to Antenna and Wireless AP



RF cable connect to Antenna , Surge Arrester and Wireless AP



## Hardware Specifications


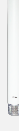
<b>Cable Type</b>	LLMR200
<b>Conductor</b>	<b>Material :</b> Bare Copper Wire <b>Diameter O.D:</b> 1.12mm ± 0.03mm
<b>Insulation</b>	<b>Material :</b> LDPE <b>Diameter O.D:</b> 2.95 mm ± 0.1mm
<b>Shield</b>	<b>Material :</b> Tinned Copper Wire <b>Diameter O.D:</b> 3.1mm
<b>Jacket</b>	<b>Material :</b> Black PVC <b>Diameter O.D:</b> 5mm ± 0.1mm
<b>Attenuation (Cable Loss)</b>	<b>IEEE802.11b/g/n/ax :</b> 2.4GHz : dB/100M Loss 51.5dB <b>IEEE802.11a/ac/ax :</b> 5.2GHz : dB/100M Loss 88.8dB 5.5GHz : dB/100M Loss 92.8dB 5.8GHz : dB/100M Loss 96.8dB
<b>Impedance</b>	50 Ohms
<b>V.S.W.R</b>	≤ 1.35

<b>Connector</b>	N-Type Plug (Male) to N-Type Plug (Male)
<b>Connector sleeve</b>	N-Type : Waterproof cap x2
<b>Operating Temperature</b>	-20°C - + 80°C
<b>Storage Temperature</b>	-20°C - + 80°C
<b>Humidity</b>	100% Non- Condensing
<b>Dimensions</b>	<b>LLMR-NNP-1M :</b> 1000 * 5 (L *W) mm Cable Diameter 5mm (max) Connector Diameter 20mm (max) <b>LLMR-NNP-2M :</b> 2000 * 5 (L *W) mm Cable Diameter 5mm (max) Connector Diameter 20mm (max)
<b>Weight</b>	<b>LLMR-NNP-1M :</b> 98.6g <b>LLMR-NNP-2M :</b> 137g
<b>Production Location</b>	TW
<b>Others</b>	RoHS Compliant

## Package Contents

<b>Content</b>	<b>LLMR-NNP-1M or LLMR-NNP-2M Main unit</b> x1
----------------	--

## Related Products

Model No.	Photo	Description
<b>ANT-10FD</b>		2.4GHz 2x2 Outdoor IP68 Wide Rang Directional 10dBi Panel Pole/Wall Mount Antenna
<b>ANT-10AD</b>		5GHz 2x2 Outdoor IP68 Directional 10dBi Panel Pole/Wall Mount Antenna
<b>ANT-14AD</b>		5GHz 2x2 Outdoor IP68 Wide Rang Directional 14dBi Panel Pole/Wall Mount Antenna
<b>ANT-18AD</b>		5GHz 2x2 Outdoor IP68 Directional 18dBi Panel Pole/Wall Mount Antenna
<b>ANT-15AQ</b>		5GHz 4x4 Outdoor IP68 Wide Rang Directional 15dBi Panel Pole/Wall Mount Antenna (Can be utilized for dual 2x2 MIMO sets of mesh backbone link stacking applications.)
<b>ANT-05FN-S</b>		2.4Ghz Outdoor thin type Omni 5dBi Plug Antenna
<b>ANT-07AN-S</b>		5Ghz Outdoor thin type Omni 7dBi Plug Antenna
<b>LP-300</b>		11nabg 2.4GHz / 5GHz N-Female to N-Male Lightning Protector